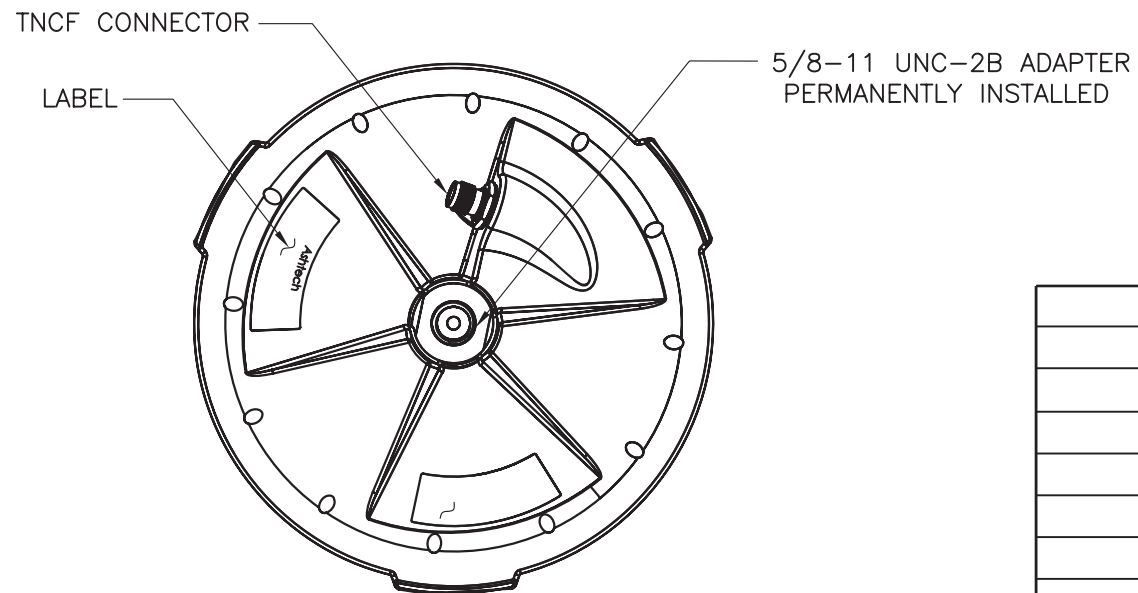
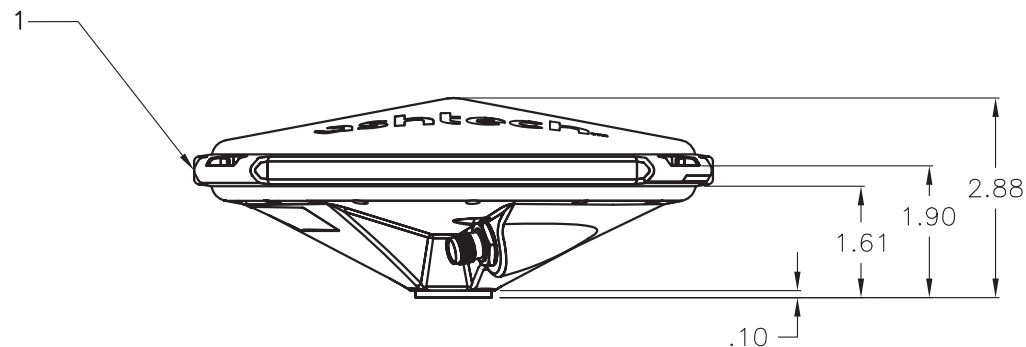
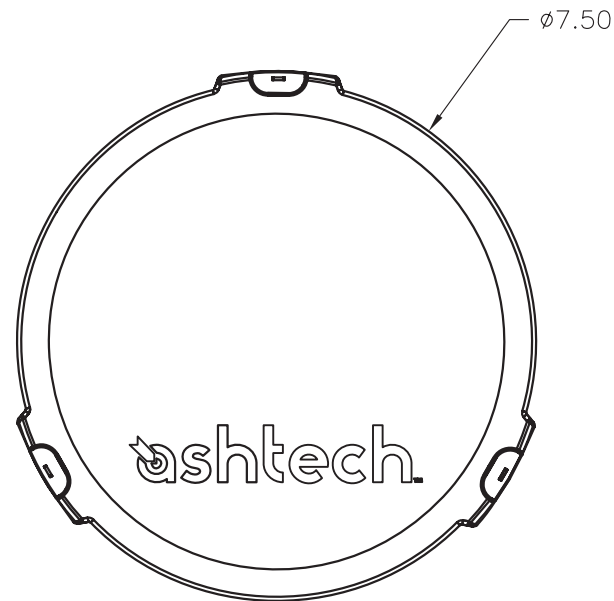


8 7 6 5 4 3 2 1

REVISIONS			
SYM	DESCRIPTION	DATE	APPROVED
A	RELEASED TO PRODUCTION	12/10/2010	

- 1 BUMPER COLOR: GRAY RGB: 236 236 236.
- 2 TOLERANCES: .XX ± .03  
.XXX ± .010



**SPECIFICATION:**

FREQUENCY: 1565–1615 MHz L1, GLONASS (G1)  
 POLARIZATION: RIGHT HAND CIRCULAR  
 AXIAL RATIO: 3 dB MAX @ BORESIGHT  
 RADIATION COVERAGE: 6.0 dBic 0° = 0°  
 -5.0 dBic 0° < θ < 75°  
 -6.0 dBic 75° ≤ θ < 80°  
 -7.0 dBic 80° ≤ θ < 85°  
 -8.0 dBic θ = 90°

AMPLIFIER:  
 GAIN: 38 dB  
 NOISE FIGURE: 2.5 dB MAX  
 IMPEDANCE: 50 OHMS  
 VSWR: ≤2.0:1  
 BAND REJECTION: 20 dB @ 250 MHz  
 POWER HANDLING: 1 WATT  
 FINISH: WEATHERABLE POLYMER  
 WEIGHT: 1.0 LBS  
 ALTITUDE: 20,000'  
 OPERATING TEMP: -40°C TO +70°C

ASH 111660

DO NOT SCALE THIS DRAWING REMOVE BURRS AND BREAK SHARP EDGES: PART TO BE CLEAN AND OIL FREE ALL DIMENSIONS ARE IN INCHES DIMENSIONING & TOLERANCING PER ASME Y14.5M-1994 TOLERANCES: -XX = ±.01 FRACT = ±1/32 -XXX = ±.005 ANG. = ±1/2°		DRAWN P BRIAUD 12/10/2010		
✓ SURFACE ROUGHNESS MACHINED PARTS V63 MOLDED PARTS V32		CHECKED		
HOLE DIA. TOLERANCE		ENGR	TITLE L1 GPS + GLONASS ANTENNA	
.0135 - .125 +.004 -.001		MFG		
.126 - .250 +.005 -.001		Q.A.	SIZE B CAGE CODE OUVG2 DRAWING NO. ASH 111660 (AKA AT1675 - 339A) REV A	
.251 - .500 +.006 -.001		APPROVED		
.501 - .750 +.008 -.001		DRAWN IN CAD	SCALE NONE SHEET 1 OF 1	

NEXT ASSY